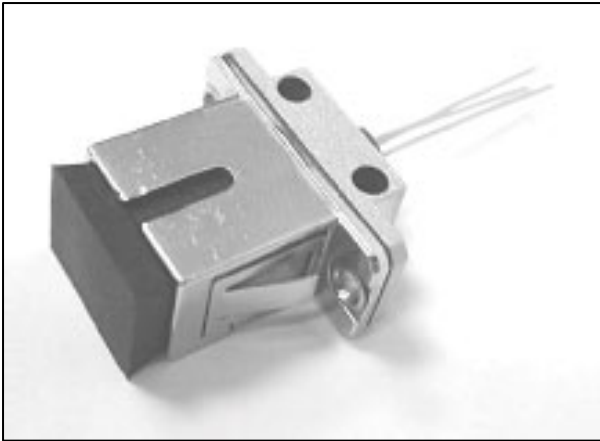


MRPD3100-SC-xx



Description

The MRPD3100-SC-XX series of photo-detector are low-cost components well suited for high-performance optical network applications. The devices feature low capacitance, a wide operating temperature range, and high responsivity.

The MRPD3100-SC-XX is designed with a robust metal housing for use in a variety of optical network applications, include high-speed communications, SONET/SDH, LANs and FDDI applications.

Features

- ❑ High responsivity @ 1310/1550nm
- ❑ Low capacitance
- ❑ Metal SC receptacle

Applications

- ❑ SDH/SONET
- ❑ FDDI
- ❑ ATM
- ❑ LANs
- ❑ SENSORS





MRPD3100-SC-xx

Absolute Maximum Ratings

Exceeding the conditions specified below may result in permanent damage to the pin module.

Parameter	Symbol	Min	Max	Unit
Operating Case Temperature	Top	-40	85	°C
Storage Temperature	Tstg	-40	100	°C
Saturation Input Power	Ps	--	10	mW
Forward Current	If	--	10	mA
Reverse Bias	Vr	--	30	V

Electrical/Optical Characteristics

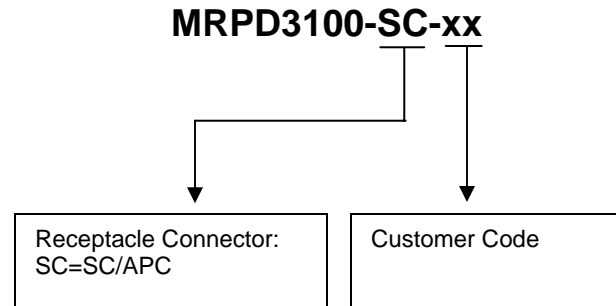
Parameters are at 25°C unless otherwise noted.

Parameter	Symbol	Min	Typ	Max	Unit
Detection Wavelength range	λ	1100	--	1600	nm
Active diameter	Ad	--	40	--	um
Responsivity	Res	--	$\geq 0.75@1310\text{nm}$, $\geq 0.80@1550\text{nm}$	--	mA/mW mA/mW
Optical Return Loss *Note 1	ORL	32	35	--	dB
Frequency Bandwidth	B	2.0	3.0	--	GHz
Dark Current	I_D	--	0.05	1	nA
Capacitance	C	--	0.6	1	pF

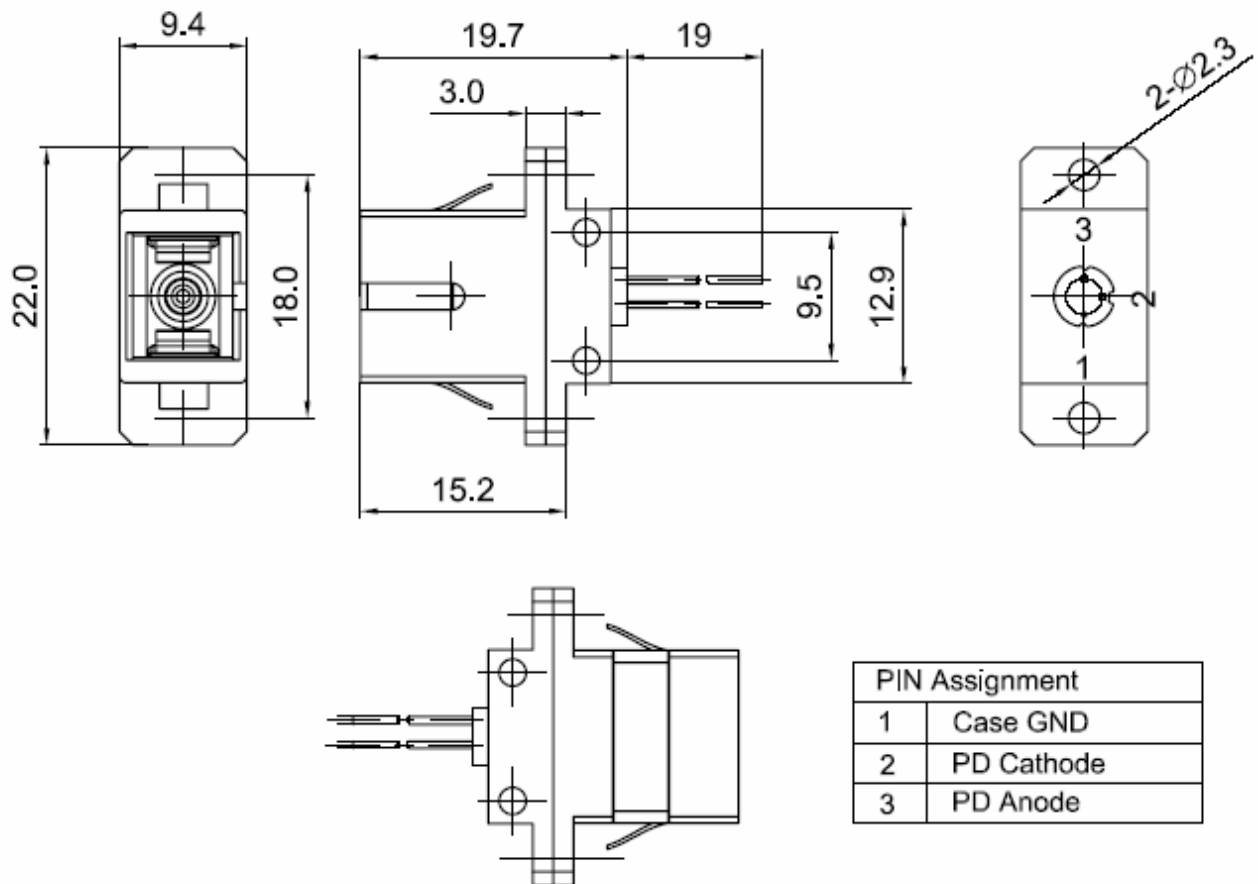
*Note 1. The test condition is @1550nm,SC/APC

MRPD3100-SC-xx

Ordering options

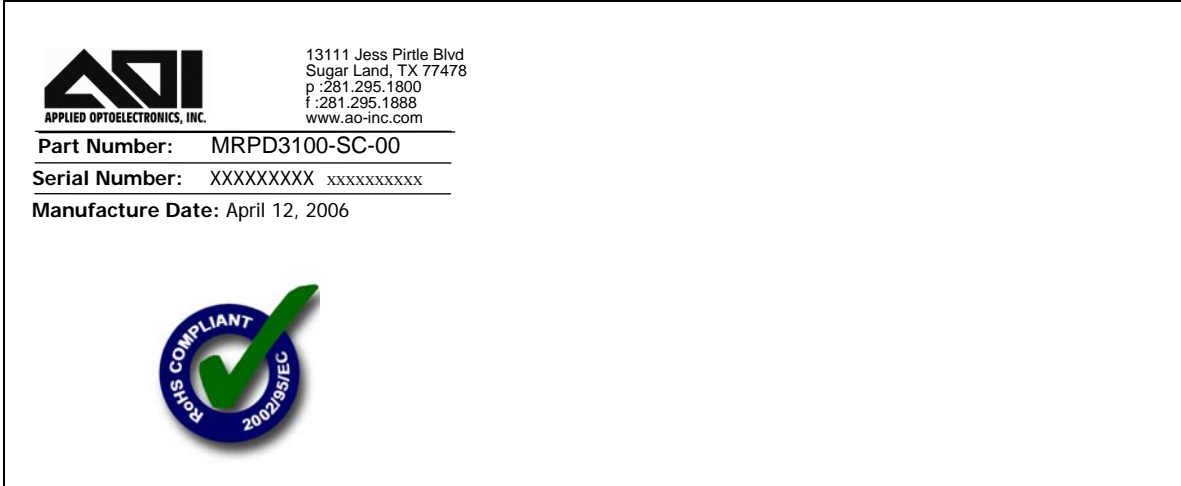


Outline dimensions (in mm)

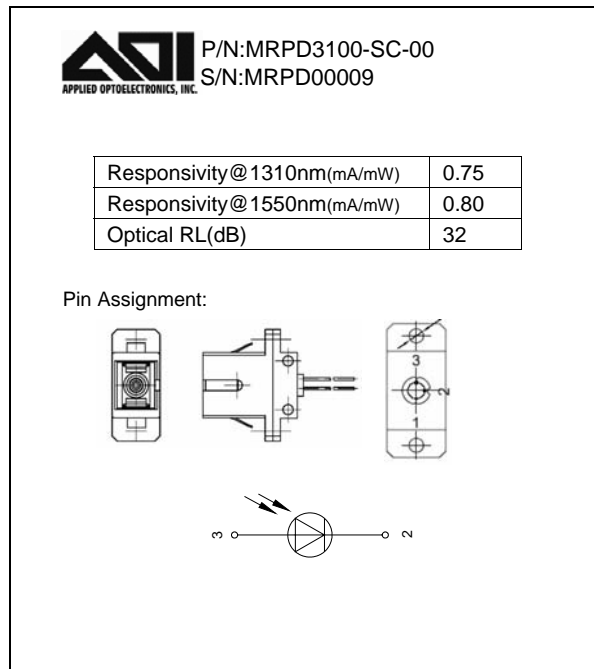


PIN Assignment	
1	Case GND
2	PD Cathode
3	PD Anode

Labeling Format



Label for the anti-static shield bag



Label for the cardboard in the anti-static shield bag