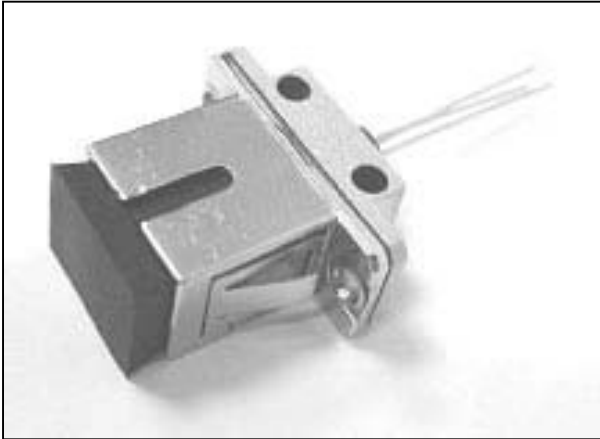


## MRPD3000-SC-xx

---



### Description

The MRPD3000-SC-XX series of photo-detector are low-cost components well suited for high-performance optical network applications.

The devices feature low capacitance, a wide operating temperature range, and high responsivity.

The MRPD3000-SC-XX is designed with a robust metal housing for use in a variety of optical network applications, include high-speed communications, SONET/SDH, LANs and FDDI applications.

### Features

- ❑ High responsivity @ 1310/1550nm
- ❑ Low capacitance
- ❑ Metal SC receptacle

### Applications

- ❑ SDH/SONET
- ❑ FDDI
- ❑ ATM
- ❑ LANs
- ❑ SENSORS



## MRPD3000-SC-xx

---

### Absolute Maximum Ratings

Exceeding the conditions specified below may result in permanent damage to the pin module.

Parameter	Symbol	Min	Max	Unit
Operating Case Temperature	Top	-40	85	°C
Storage Temperature	Tstg	-40	100	°C
Saturation Input Power	Ps	--	10	mW
Forward Current	If	--	10	mA
Reverse Bias	Vr	--	30	V

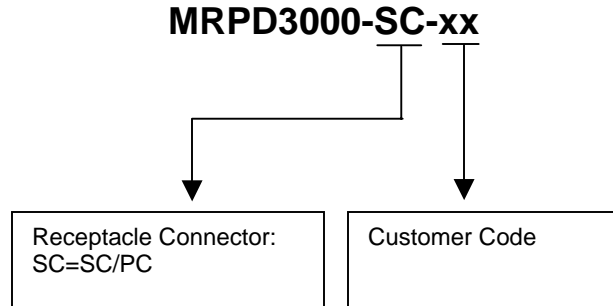
### Electrical/Optical Characteristics

Parameters are at 25°C unless otherwise noted.

Parameter	Symbol	Min	Typ	Max	Unit
Detection Wavelength range	$\lambda$	1100	--	1600	nm
Active diameter	Ad	--	40	--	um
Responsivity	Res	--	$\geq 0.75@1310\text{nm},$ $\geq 0.80@1550\text{nm}$	--	mA/mW mA/mW
Frequency Bandwidth	B	2.0	3.0	--	GHz
Dark Current	$I_D$	--	0.05	1	nA
Capacitance	C	--	0.6	1	pF

**MRPD3000-SC-xx**

**Ordering options**



**Outline dimensions (in mm)**

