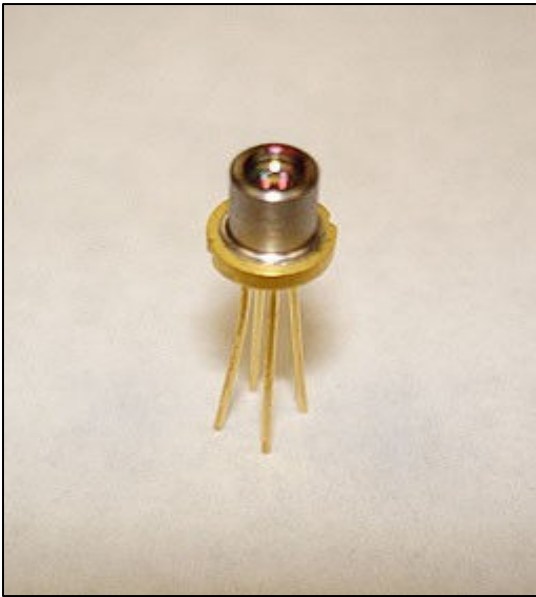


DFB-1310-T5-5-2.5-XX-A-X-M855



Description

The DFB-1310-T5-5-2.5-XX-A-X-M855 series of Multi-Quantum Well (MQW) Distributed Feedback (DFB) lasers are well suited for low-cost high-speed transmitters.

The devices feature high output power, wide operating temperature range, and high side mode suppression.

Their uncooled, hermetically sealed, TO-56 style packages are a cost-effective means of providing a low-noise light source for intermediate-reach and long-reach digital transmission applications.

Features

- ❑ Advanced Multiple Quantum Well (MQW) Distributed Feedback (DFB) Laser Design
- ❑ Cost-effective Uncooled Laser Technology
- ❑ SMSR typ. 40 dB
- ❑ 5.6-mm TO-style package

Applications

- ❑ SONET transmitters
- ❑ Point-to-point fiber optic links





DFB-1310-T5-5-2.5-XX-A-X-M855

Absolute Maximum Ratings

Exceeding the conditions specified below may result in permanent damage to the laser module. In normal operation, refer to the operating conditions in Table 1, below. Exceeding the conditions in Table 1, but below the absolute maximum ratings may result in unacceptable performance in some applications. Exposure to conditions above the absolute maximum ratings may negatively impact the reliability of the devices.

| Parameter | Symbol | Condition | Min | Max | Unit |
|----------------------------|-----------|------------|-----|-----|------|
| Operating Case Temperature | T_c | $I=I_{op}$ | -40 | 85 | °C |
| Storage Temperature | T_{sta} | -- | -40 | 100 | °C |
| Laser Forward Current | -- | -- | -- | 120 | mA |
| Laser Reverse Bias | V_r | -- | -- | 2 | V |
| Photodiode Reverse Bias | V_{rpd} | -- | -- | 10 | V |

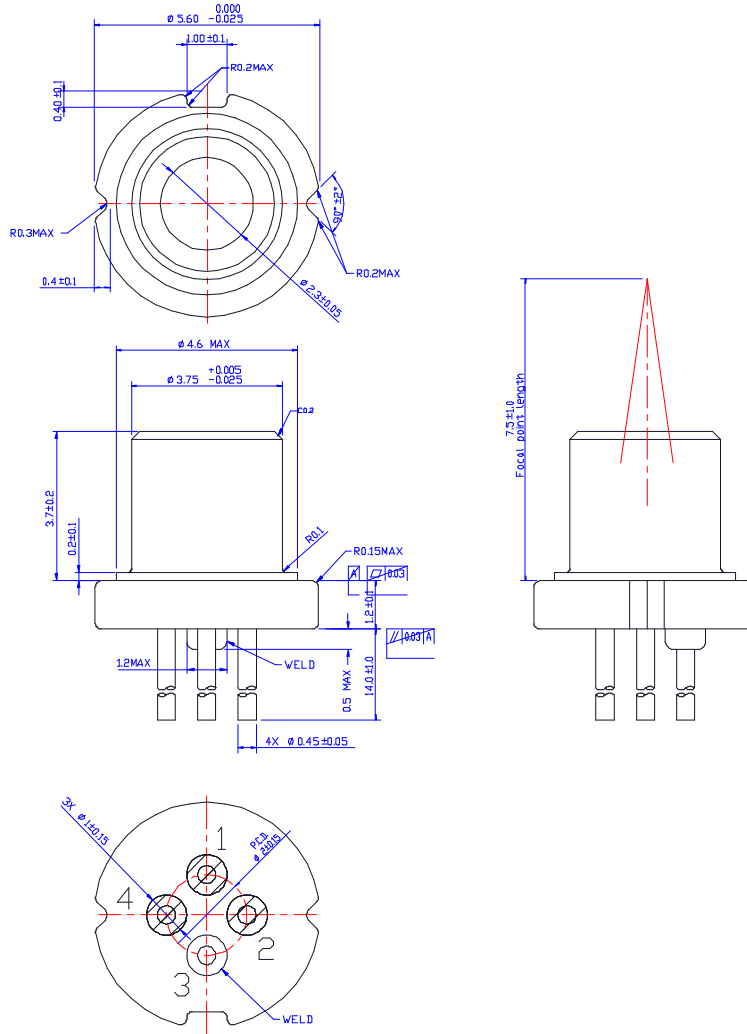
Electrical/Optical Characteristics (T=25°C, unless otherwise noted)

| Parameter | Symbol | Min | Typ | Max | Unit | Test Conditions |
|------------------------------------|----------------------------|------|------|----------|-------|-------------------------------|
| Operating Temperature | T | -40 | | 85 | °C | |
| Optical Output Power | P_o | 5.0 | -- | -- | mW | CW |
| Threshold Current | I_{th} | -- | 7 | 13 35 | mA | T=25 °C T=85 °C |
| Forward Voltage | V_F | -- | 1.1 | 1.6 | V | $P_o=5.0$ mW |
| Slope Efficiency | SE | 0.30 | | -- | mW/mA | CW, $P_o=5.0$ mW, T=25 °C |
| Center Wavelength | λ | 1300 | 1310 | 1320 | nm | $P_o=5.0$ mW, CW, T=25 °C |
| Spectral Width (-20 dB) | $\Delta\lambda$ | -- | 0.1 | 1.0 | nm | $P_o=5.0$ mW |
| Wavelength temperature coefficient | $\Delta\lambda / \Delta T$ | | 0.08 | 0.12 | nm/°C | |
| Side-mode Suppression Ratio | SMSR | 30 | 40 | -- | dB | $P_o=5.0$ mW |
| Rise/Fall Times | t_{Rr} , t_{Ff} | -- | -- | 0.1 | ns | $P_{peak}=5.0$ mW, 20% to 80% |
| Relaxation Oscillation Frequency | f_R | -- | 4.5 | -- | GHz | $P_o=5.0$ mW |
| Monitor Current | I_{mon} | 120 | -- | 1000 | μA | $V_R=5$ V, $P_o=5.0$ mW |
| Monitor Dark Current | I_D | -- | -- | 200 | nA | $V_R=5$ V |

DFB-1310-T5-5-2.5-XX-A-X-M855

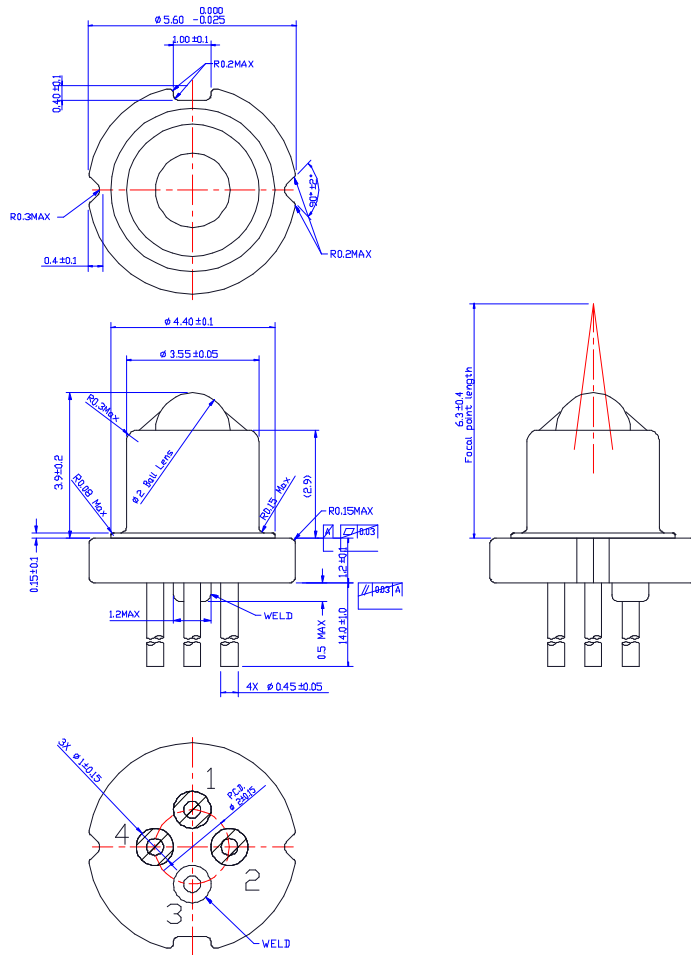
Dimensions

Dimensions are in millimeters



A7 ordering option (FL=7.5 mm)

DFB-1310-T5-5-2.5-XX-A-X-M855



BB Cap ordering option (FL=6.3 mm)

Pin Type

TYPE A
PIN ASSIGNMENT

| | |
|---|---------------|
| 1 | PD CATHODE |
| 2 | PD ANODE |
| 3 | LD ANODE, GND |
| 4 | LD CATHODE |

TYPE C
PIN ASSIGNMENT

| | |
|---|----------------------|
| 1 | PD ANODE |
| 2 | LD ANODE, PD CATHODE |
| 3 | GND |
| 4 | LD CATHODE |

**DFB-1310-T5-5-2.5-XX-A-X-M855**

ORDERING OPTIONS:

| Part Number | Focal Length (mm) | Pin Type | Remark |
|--------------------------------------|----------------------|----------|--------|
| DFB-1310-T5-5-2.5-A7-A-A-M855 | 7.5±1.0 | A | |
| DFB-1310-T5-5-2.5-A7-A-C-M855 | 7.5±1.0 | C | |
| DFB-1310-T5-5-2.5-BB-A-A-M855 | 6.3±0.4 | A | |
| DFB-1310-T5-5-2.5-BB-A-C-M855 | 6.3±0.4 | C | |

DFB-1310-T5-5-2.5-XX-A-X-M855

Safety Information

All versions of this laser are Class 1M laser products per IEC¹/EN² 60825-1:2001-08. Users should observe safety precautions such as those recommended by ANSI³ Z136.1-2000, ANSI Z36.2-1997 and IEC 60825-1:2001-08.

Notes about Laser Safety Class:

The Food and Drug Administration's Center for Devices and Radiological Health (FDA/CDRH) in the USA has decided to harmonize their requirements with 21 CFR 1040.10 and 1040.11 with the IEC/EN 60825-1 and IEC/EN 60601-2-22 standards. This process has not yet happened and in the interim, the CDRH agency has released '[Laser Notice No.50](#)' to reduce the regulatory burden. This notice allows IEC/EN classification and labeling of lasers within the USA.

IEC¹/EN² 60825-1 Laser Class

Class 1M: laser is safe for all conditions of use except when passed through magnifying optics such as microscopes and telescopes. Class 1M lasers produce large-diameter beams, or beams that are divergent. The MPE for a Class 1M laser cannot normally be exceeded unless focusing or imaging optics are used to narrow the beam. If the beam is refocused, the hazard of Class 1M lasers may be increased and the product class may be changed. A laser can be classified as Class 1M if the total output power is below (IEC/EN) class 3B but the power that can pass through the pupil of the eye is within Class 1.

FDA Laser Class

Class IIIB: moderate power lasers (cw: 5-500 mW, pulsed: 10 J/cm² or the diffuse reflection limit, whichever is lower). In general Class IIIB lasers will not be a fire hazard, nor are they generally capable of producing a hazardous diffuse reflection. Specific controls are recommended.

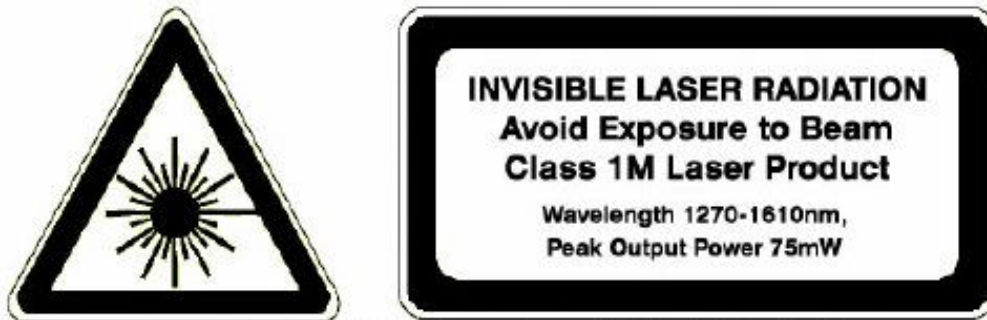
This product does not conform to 21 CFR 1040.10 and 1040.11. Consequently, this laser module is only intended for use as a component by manufacturers of electronic products and equipment.

Wavelength = 1270 – 1610 nm
 Maximum Power = 75mW
 Single-mode fiber pigtail
 Fiber Numerical Aperture = 0.14

Labeling is not affixed to the laser module due to size constraints; rather, labeling is placed on the outside of the shipping box.

This product is not shipped with a power supply.

Caution: use of controls or adjustments or performance of procedures other than those specified herein may result in hazardous radiation exposure.



classified in accordance with IEC 60825-1: 2001-08

(1) IEC is a registered trademark of the International Electrotechnical Commission

(2) Within Europe the IEC standard has been adopted as a European Normative standard known as EN 60825, and each European country will have its own version of this standard, for example, the British Standards version known as BS EN 60825. There can be small differences between the different countries versions of EN 60825, and these are in part caused by the process of translating the standard into the native language of that country.

(3) ANSI is a registered trademark of the American National Standards Institute